

HUNTINGTON



HALL/CLOSET



BED/BATH



KEYED ENTRY



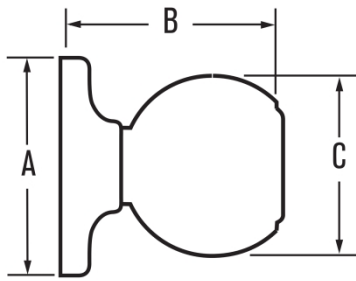
INACTIVE

SPECIFICATIONS

DOOR PREP	Cross Bore 2-1/8" Edge Bore 1" Latch Face 1"x2-1/4"
BACKSET	Adjustable to 2-3/8" or 2-3/4" UL 2-3/4" standard 2-3/8" optional
DOOR THICKNESS	1-3/8"–1-3/4" doors standard thickness 2-1/4" doors optional on GA101 and GA531
CYLINDER	Standard SmartKey Kwikset or Weiser 5pin pin & tumbler available
FACEPLATE	1"x2-1/4" Square, radius corner and drive-in standard
STRIKES	2-1/4" full lip. Specify round corner or square corner Other options available
BOLT	1/2" throw. Nickel plated
DOOR HANDING	Reversible for right or left handed doors
ANSI/BHMA	A156.2 Grade 2
ADA	N/A
UL AVAILABILITY	Meets 3 hour fire rating for all UL functions when fronted latches used Meets 20 minute with square, radius or drive-in latch
ASTM	All Weiser product meets ASTM E 331 water penetration testing

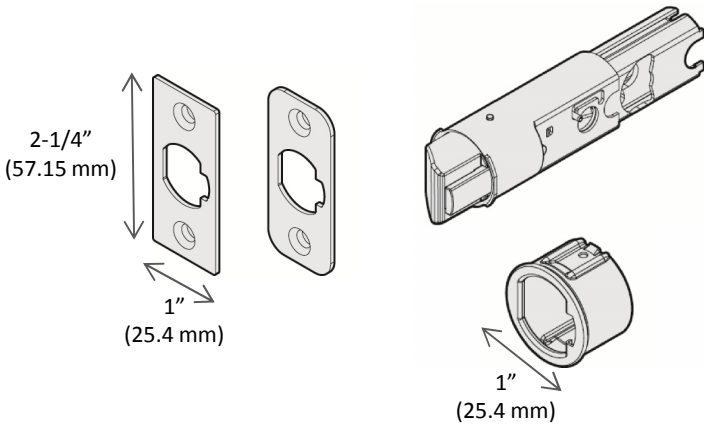
SPECIFICATIONS

PRODUCT DIMENSIONS

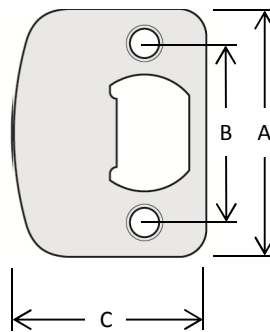


	A	B	C
Huntington	2-5/8"	2-15/16"	2-1/8"

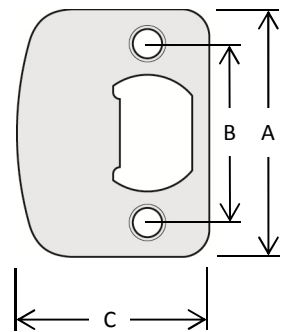
6-WAY ADJUSTABLE LATCH



FULL LIP SQUARE CORNER

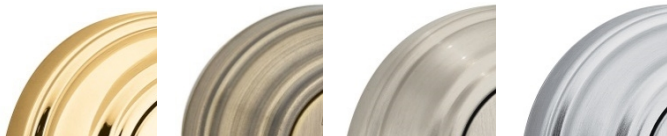


FULL LIP RADIUS CORNER



A	2-1/4" (57.15 mm)
B	1-5/8" (41.275 mm)
C	1-3/4" (44.45 mm)

PRODUCT AVAILABILITY



BRASS ANTIQUE BRASS SATIN NICKEL SATIN CHROME

		20 min.	3 Hour	Brass	Antique Brass	Satin Nickel	Satin Chrome
Passage	GA101 HT	<input type="checkbox"/>	<input type="checkbox"/>	<input type="checkbox"/>	<input type="checkbox"/>	<input type="checkbox"/>	<input type="checkbox"/>
Privacy	GA331 HT			<input type="checkbox"/>	<input type="checkbox"/>	<input type="checkbox"/>	<input type="checkbox"/>
Entry	GA531 HT	<input type="checkbox"/>	<input type="checkbox"/>	<input type="checkbox"/>	<input type="checkbox"/>	<input type="checkbox"/>	<input type="checkbox"/>
Inactive	GA12 HT			<input type="checkbox"/>	<input type="checkbox"/>	<input type="checkbox"/>	<input type="checkbox"/>