

**TROY**



HALL/CLOSET



BED/BATH



KEYED ENTRY



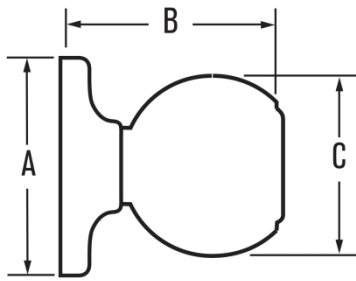
INACTIVE

**SPECIFICATIONS**

<b>DOOR PREP</b>	Cross Bore 2-1/8" Edge Bore 1" Latch Face 1"x2-1/4"
<b>BACKSET</b>	Adjustable to 2-3/8" or 2-3/4" UL 2-3/4" standard 2-3/8" optional
<b>DOOR THICKNESS</b>	1-3/8"–1-3/4" doors standard thickness 2-1/4" doors optional on GA101 and GA531
<b>CYLINDER</b>	Standard SmartKey Kwikset or Weiser 5pin pin & tumbler available
<b>FACEPLATE</b>	1"x2-1/4" Square, radius corner and drive-in standard
<b>STRIKES</b>	2-1/4" full lip. Specify round corner or square corner Other options available
<b>BOLT</b>	1/2" throw. Nickel plated
<b>DOOR HANDING</b>	Reversible for right or left handed doors
<b>ANSI/BHMA</b>	A156.2 Grade 2
<b>ADA</b>	N/A
<b>UL AVAILABILITY</b>	Meets 3 hour fire rating for all UL functions when fronted latches used Meets 20 minute with square, radius or drive-in latch
<b>ASTM</b>	All Weiser product meets ASTM E 331 water penetration testing

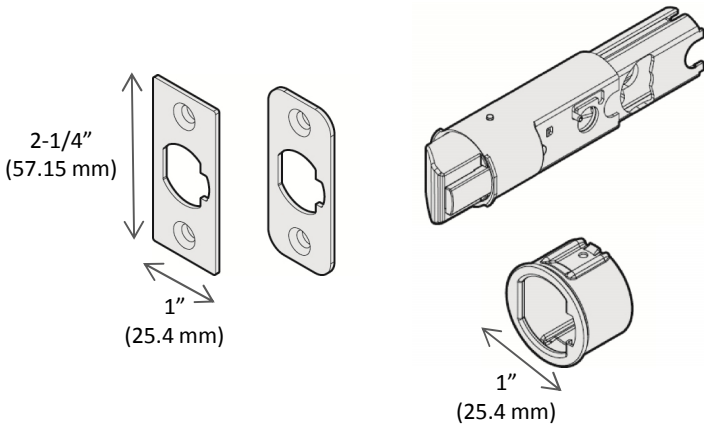
**SPECIFICATIONS**

**PRODUCT DIMENSIONS**

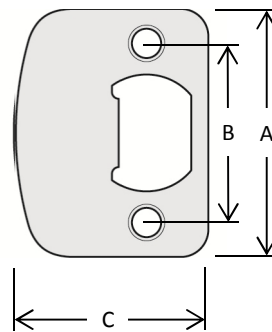


	A	B	C
<b>Troy</b>	2-5/8"	2-5/16"	2-1/16"

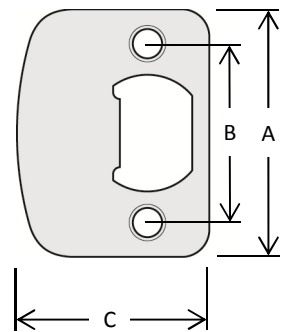
**6-WAY ADJUSTABLE LATCH**



**FULL LIP SQUARE CORNER**



**FULL LIP RADIUS CORNER**



<b>A</b>	2-1/4" (57.15 mm)
<b>B</b>	1-5/8" (41.275 mm)
<b>C</b>	1-3/4" (44.45 mm)

**PRODUCT AVAILABILITY**



		20 min.	3 Hour	Brass	Venetian Bronze	Satin Nickel
Passage	GA101 T	<input type="checkbox"/>	<input type="checkbox"/>	<input type="checkbox"/>	<input type="checkbox"/>	<input type="checkbox"/>
Privacy	GA331 T			<input type="checkbox"/>	<input type="checkbox"/>	<input type="checkbox"/>
Entry	GA531 T	<input type="checkbox"/>	<input type="checkbox"/>	<input type="checkbox"/>	<input type="checkbox"/>	<input type="checkbox"/>
Inactive	GA12 T			<input type="checkbox"/>	<input type="checkbox"/>	<input type="checkbox"/>
		20 min.	3 Hour	Antique Nickel	Satin Chrome	Iron Black
Passage	GA101 T	<input type="checkbox"/>	<input type="checkbox"/>	<input type="checkbox"/>	<input type="checkbox"/>	<input type="checkbox"/>
Privacy	GA331 T			<input type="checkbox"/>	<input type="checkbox"/>	<input type="checkbox"/>
Entry	GA531 T	<input type="checkbox"/>	<input type="checkbox"/>	<input type="checkbox"/>	<input type="checkbox"/>	<input type="checkbox"/>
Inactive	GA12 T			<input type="checkbox"/>	<input type="checkbox"/>	<input type="checkbox"/>