

MILAN – SQUARE ROSE



HALL/CLOSET



BED/BATH



KEYED ENTRY



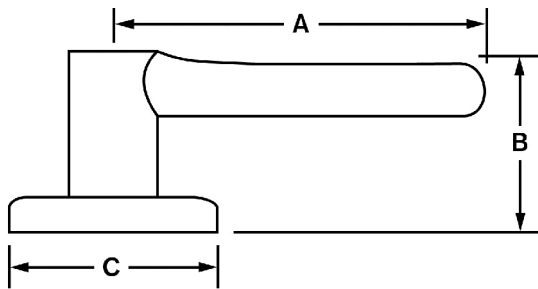
INACTIVE

SPECIFICATIONS

DOOR PREP	Cross Bore 2-1/8" Edge Bore 1" Latch Face 1"x2-1/4"
BACKSET	Adjustable to 2-3/8" or 2-3/4" UL 2-3/4" standard 2-3/8" optional
DOOR THICKNESS	1-3/8"–1-3/4" doors standard thickness 2-1/4" doors optional on GLA101 and GLA535
CYLINDER	Standard SmartKey
FACEPLATE	1"x2-1/4" Square, radius corner and drive-in standard
STRIKES	2-1/4" full lip. Specify round corner or square corner Other options available
BOLT	1/2" throw. Nickel plated
DOOR HANDING	Specify handing only with Inactive levers
ANSI/BHMA	A156.2 Grade 2
ADA	Functions GLA 101, GLA 12 satisfies section 4.13.9 ADA requirement
UL AVAILABILITY	Meets 20 minute
ASTM	All Weiser product meets ASTM E 331 water penetration testing

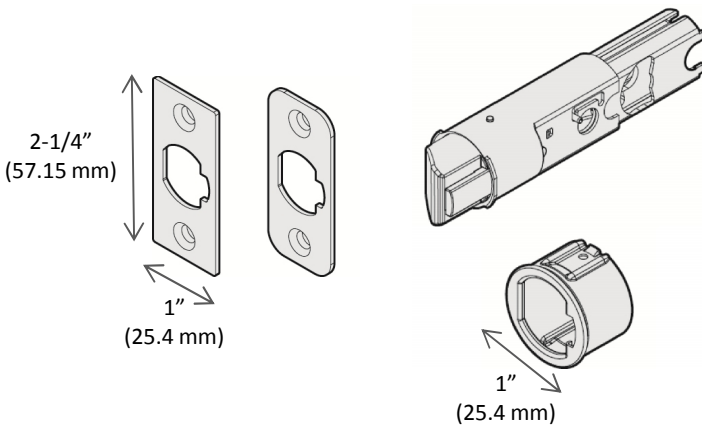
SPECIFICATIONS

PRODUCT DIMENSIONS



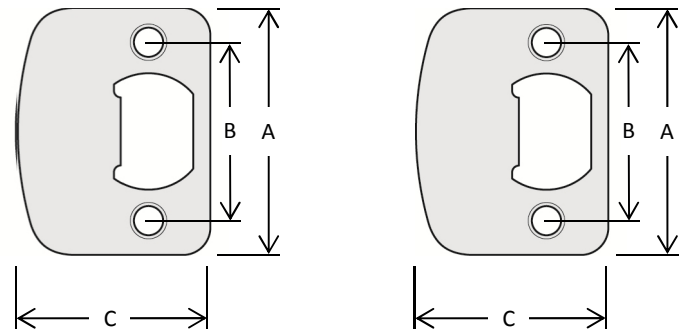
	A	B	C	C (Keyed)
Milan Square Rose	2-5/8"	4-5/32"	2-9/16"	2-3/8"

6-WAY ADJUSTABLE LATCH



FULL LIP SQUARE CORNER

FULL LIP RADIUS CORNER




A	2-1/4" (57.15 mm)
B	1-5/8" (41.275 mm)
C	1-3/4" (44.45 mm)

PRODUCT AVAILABILITY



VENETIAN BRONZE SATIN NICKEL POLISHED CHROME SATIN CHROME IRON BLACK

		 20 min.	Venetian Bronze	Satin Nickel	Polished Chrome	Satin Chrome	Iron Black
Passage	GLA101 MIL SQT	<input type="checkbox"/>	<input type="checkbox"/>	<input type="checkbox"/>	<input type="checkbox"/>	<input type="checkbox"/>	<input type="checkbox"/>
Privacy	GLA331 MIL SQT		<input type="checkbox"/>	<input type="checkbox"/>	<input type="checkbox"/>	<input type="checkbox"/>	<input type="checkbox"/>
Entry	GLA535 MIL SQT	<input type="checkbox"/>	<input type="checkbox"/>	<input type="checkbox"/>	<input type="checkbox"/>	<input type="checkbox"/>	<input type="checkbox"/>
Inactive	GLA12 MIL SQT		<input type="checkbox"/>	<input type="checkbox"/>	<input type="checkbox"/>	<input type="checkbox"/>	<input type="checkbox"/>