

TOLUCA



HALL/CLOSET

SPECIFICATIONS

DOOR PREP	Cross Bore 2-1/8" Edge Bore 1" Latch Face 1"x2-1/4"
BACKSET	Adjustable to 2-3/8" or 2-3/4" UL 2-3/4" standard 2-3/8" optional
DOOR THICKNESS	1-3/8"–1-3/4" doors standard thickness 2-1/4" doors optional on GLA101 and GLA535
CYLINDER	Standard SmartKey Kwikset or Weiser 5pin pin & tumbler available
FACEPLATE	1"x2-1/4" Square, radius corner and drive-in standard
STRIKES	2-1/4" full lip. Specify round corner or square corner Other options available
BOLT	1/2" throw. Nickel plated
DOOR HANDING	Specify handing only with Inactive levers
ANSI/BHMA	A156.2 Grade 2
ADA	Functions GLA 101, GLA 12 satisfies section 4.13.9 ADA requirement
UL AVAILABILITY	Meets 3 hour fire rating for all UL functions when fronted latches used Meets 20 minute with drive-in latch
ASTM	All Weiser product meets ASTM E 331 water penetration testing



BED/BATH



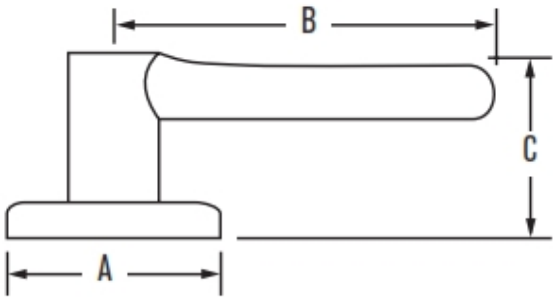
KEYED ENTRY



INACTIVE

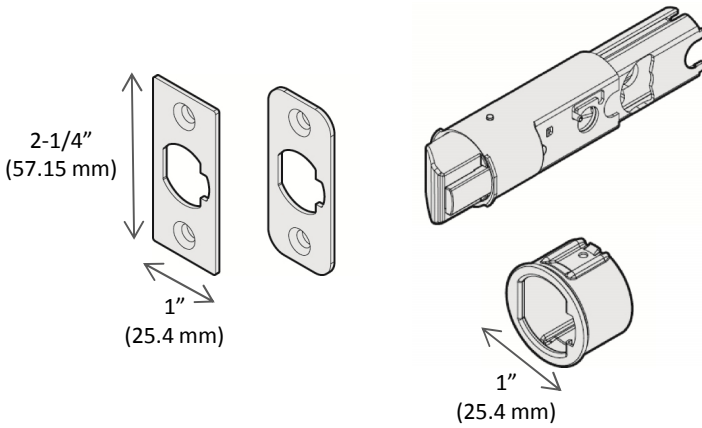
SPECIFICATIONS

PRODUCT DIMENSIONS



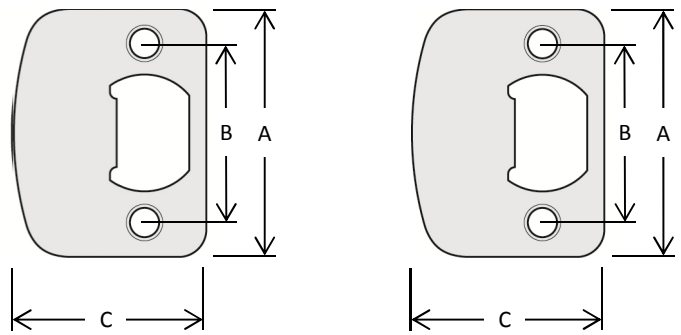
	A	B	C	C (Keyed)
Toluca	2-5/8"	4-7/32"	2-3/32"	2-19/32"

6-WAY ADJUSTABLE LATCH



FULL LIP SQUARE CORNER

FULL LIP RADIUS CORNER



A	2-1/4" (57.15 mm)
B	1-5/8" (41.275 mm)
C	1-3/4" (44.45 mm)

PRODUCT AVAILABILITY



BRASS ANTIQUE BRASS VENETIAN BRONZE SATIN NICKEL ANTIQUE NICKEL POLISHED CHROME SATIN CHROME IRON BLACK

		20 min.	3 Hour	Lifetime Brass	Antique Brass	Venetian Bronze	Satin Nickel
Passage	GLA101 TC	<input type="checkbox"/>	<input type="checkbox"/>	<input type="checkbox"/>	<input type="checkbox"/>	<input type="checkbox"/>	<input type="checkbox"/>
Privacy	GLA331 TC			<input type="checkbox"/>	<input type="checkbox"/>	<input type="checkbox"/>	<input type="checkbox"/>
Entry	GLA535 TC	<input type="checkbox"/>	<input type="checkbox"/>	<input type="checkbox"/>	<input type="checkbox"/>	<input type="checkbox"/>	<input type="checkbox"/>
Inactive	GLA12 TC			<input type="checkbox"/>	<input type="checkbox"/>	<input type="checkbox"/>	<input type="checkbox"/>

		20 min.	3 Hour	Antique Nickel	Polished Chrome	Satin Chrome	Iron Black
Passage	GLA101 TC	<input type="checkbox"/>	<input type="checkbox"/>	<input type="checkbox"/>	<input type="checkbox"/>	<input type="checkbox"/>	<input type="checkbox"/>
Privacy	GLA331 TC			<input type="checkbox"/>	<input type="checkbox"/>	<input type="checkbox"/>	<input type="checkbox"/>
Entry	GLA535 TC	<input type="checkbox"/>	<input type="checkbox"/>	<input type="checkbox"/>	<input type="checkbox"/>	<input type="checkbox"/>	<input type="checkbox"/>
Inactive	GLA12 TC			<input type="checkbox"/>	<input type="checkbox"/>	<input type="checkbox"/>	<input type="checkbox"/>